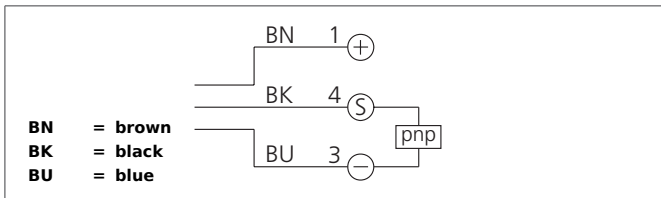
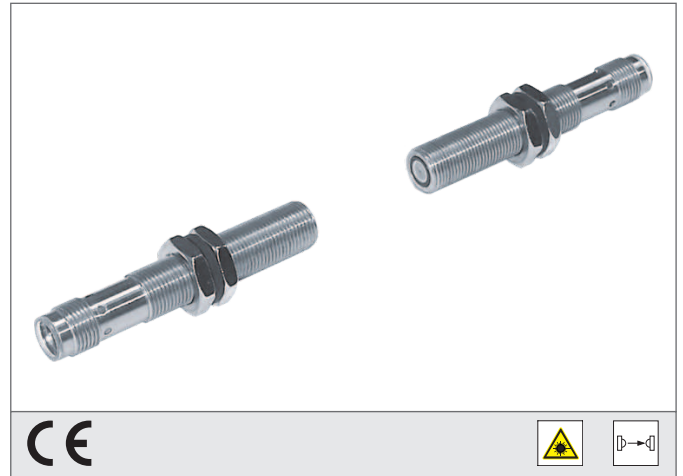


OLE 12 V 2000 P2K-IBSL

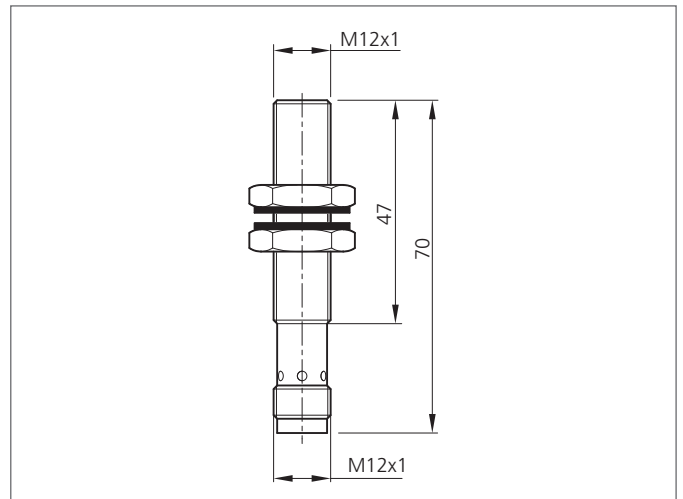
Laser Through Beam Sensor, Receiver

- Small design
- High resolution, switching accuracy, switching frequency
- Robust metal casing



Safety instructions

Inproper use may result in hazardous radiation exposure. Pay attention to accident prevention rules and laser class. The instruments are not to be used for safety applications, in particular applications in which safety of persons depends on proper operation of the instruments. These instruments shall exclusively be used by qualified personnel.



| TECHNICAL INFORMATION (typ.) | +20°C, 24V DC |
|------------------------------|--|
| Operating principle | Through beam sensors, receiver, switching output |
| Evaluation | digital |
| Size | M12 x 1 (thread) |
| Design | screw |
| Service voltage | 10 ... 35 V DC |
| Internal power consumption | < 30 mA |
| Operating distance | 0 ... 2.000 mm |
| Resolution | Ø 0,5 mm |
| Sensitivity adjustment | no setting elements |
| Switching output | pnp, 200 mA, NO |
| Switching hysteresis | < 0,1 mm |
| Voltage drop | < 2,5 V |
| Switching frequency | 2.000 Hz |
| Reproducibility | < 0,1 mm |
| Ambient temperature | 0 ... +50 °C |
| Ambient light immunity | 5 kLx |
| Insulation voltage endurance | 500 V |
| Protection class | IP 67 |
| Protection degree | III, operation on protective low voltage |
| Casing material | stainless steel |
| Connection | Connector, M12, 3-poled |